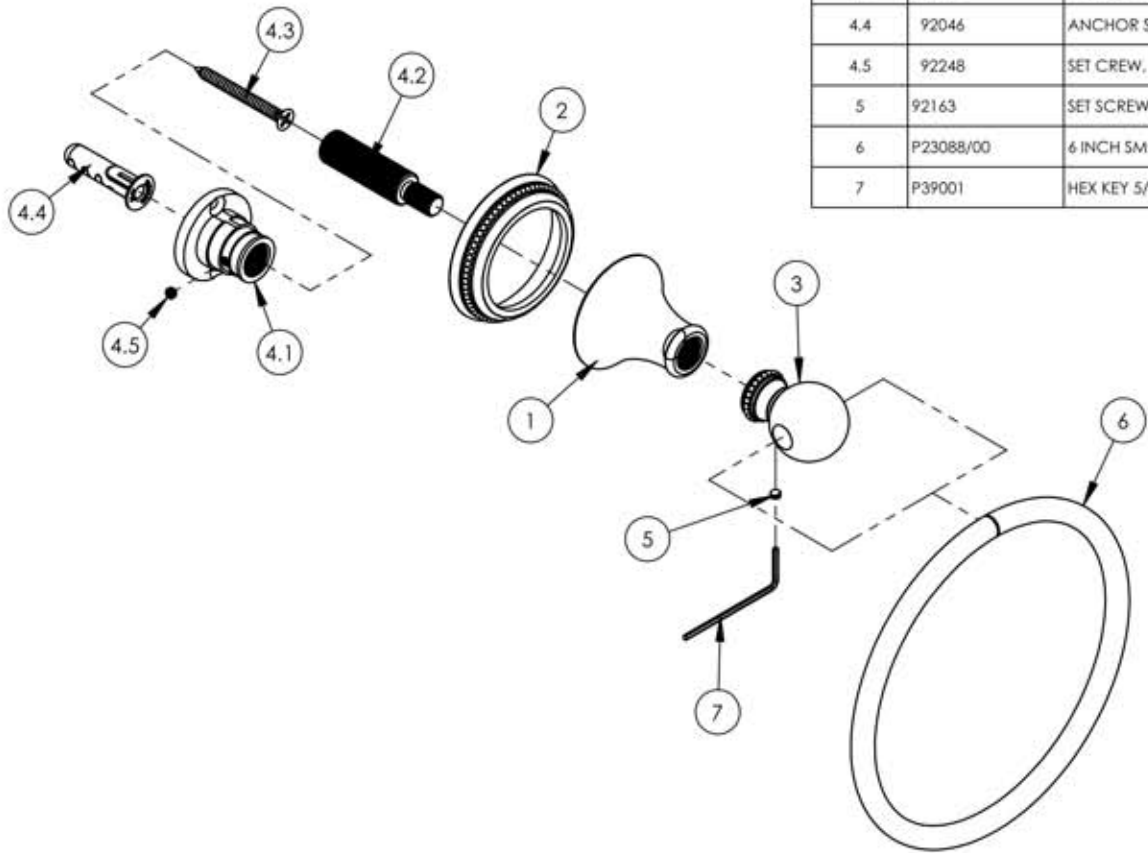


| ITEM NO. | PART NUMBER | DESCRIPTION                                   | QTY. |
|----------|-------------|---|------|
| 1        | 10972/00    | HUB, TRANSITIONAL 3RING                       | 1    |
| 2        | 10973/00    | ESCUTCHEON, BEADED HANDLE                     | 1    |
| 3        | 11323/00    | TOWEL RING POST, BEADED SERIES                | 1    |
| 4        | 2-104       | MOUNTING KIT WITH BROACH                      | 1    |
| 4.1      | 11050       | MOUNTING KIT, WALL FLANGE                     | 1    |
| 4.2      | 11083       | EXTENSION BROACH FOR MOUNTING KIT             | 1    |
| 4.3      | 92043       | SCREW, FLAT HD #10 SIZE W/ #2 PHIL DRIVE, 2"L | 1    |
| 4.4      | 92046       | ANCHOR SCREW 3/8" HOLE, TOGGLER AF10          | 1    |
| 4.5      | 92248       | SET CREW, CUP POINT 8-32 UNC, 1/8" L.         | 1    |
| 5        | 92163       | SET SCREW, CONE PT 8-32 X 1/8"L               | 1    |
| 6        | P23088/00   | 6 INCH SMOOTH TOWEL RING                      | 1    |
| 7        | P39001      | HEX KEY 5/64, FOR 8-32 SET SCREW              | 1    |



| ZONE  | REV. | DESCRIPTION | DATE   | APPROVED |
|---|------|-------------|--|----------|
| REVISIONS   |      |             |  |          |
| 1261 LOGAN AVENUE<br>COSTA MESA, CALIFORNIA 92626<br>PHONE: 714.361.4800<br>FAX: 714.617.3120 |      | PHYL RICH®  | <b>PROPRIETARY AND CONFIDENTIAL</b><br><small>THE INFORMATION CONTAINED IN THIS DRAWING IS THE SOLE PROPERTY OF RISS MANUFACTURING. ANY REPRODUCTION IN PART OR AS A WHOLE WITHOUT THE WRITTEN PERMISSION OF RISS MANUFACTURING IS PROHIBITED.</small> |          |
| Defining Luxury Since 1959  |      |             |  |          |

|                      |  |         |     |  |           |           |                           |              |              |
|----------------------|--|---------|-----|--|-----------|-----------|---------------------------|--------------|--------------|
| NEXT ASSY            |  | USED ON |     | INTERPRET GEOMETRIC DIMENSIONING & TOLERANCING IN ACCORDANCE WITH ASME Y14.5-2009 & ASME Y14.41-2003 STANDARDS. UNLESS OTHERWISE SPECIFIED, DIMENSIONS ARE IN INCHES. TOLERANCES ARE:<br>FRACTIONS ±1/64"    DECIMALS X.X: ±.1    ANGULAR X.XX: ±.01    X.XXX: ±.005 |           |           | TOWEL RING, BEADED SERIES |              |              |
| APPLICATION          |  |         |     |  |           |           | SIZE                      | ASM/PRT NO.  | REV          |
| MATERIAL             |  | FINISH  |     | A  | 207-75/00 |           | -                         |              |              |
| DO NOT SCALE DRAWING |  | DRAWN   | LLO |  | DATE      | 10/2/2015 | SCALE: 1:3                | WEIGHT: lbs. | SHEET 1 OF 2 |
|                      |  | CHECKED | GRE |  |           |           |                           |              |              |

5

4

3

2

1